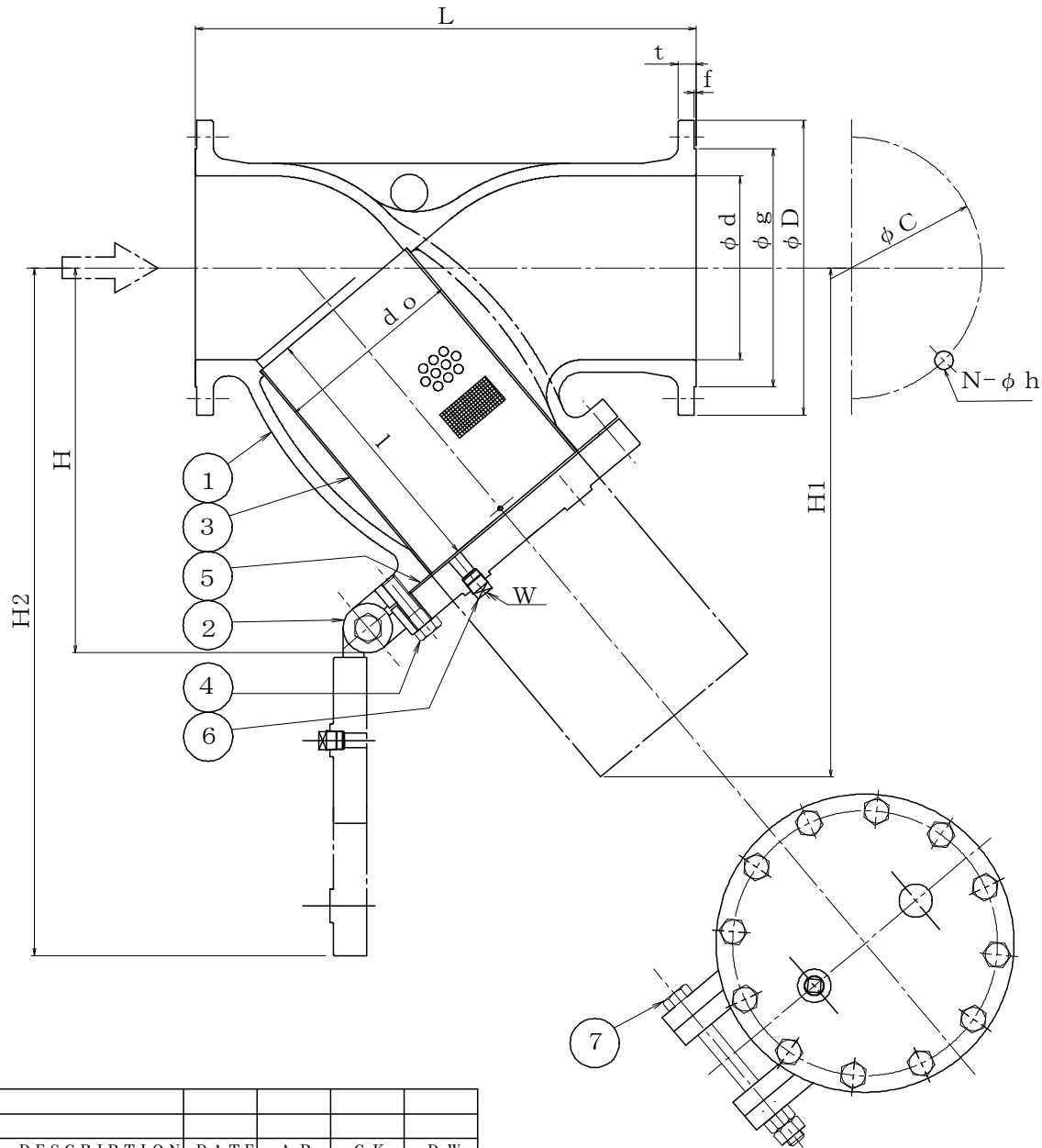


SIZE	d	L	FLANGED								H	H1	H2	d _o	l	W	Q' TY
			D	C	g	f	t	N	h								
250	10	250	680	400	355	324	2	24	12	25	523	692	935	260	360	R3/4	



SCREEN

	MESH
	20 MESH
	40 MESH
	60 MESH
	80 MESH
	100 MESH

7	BOLT NUT	SUS304	1SET	
6	DRAIN PLUG	SUS304	1	
5	GASKET	T#9007-G20	1	
4	BOLT	SUS304		
3	SCREEN	SUS304	1	
2	COVER	SCS13A	1	
1	BODY	SCS13A	1	
No	NAME OF PART	MATERIAL	Q.T.Y	REMARKS

NAME 10K
FLANGED Y TYPE STRAINER

FLUID		TEST PRESSURE	BODY	(HYD)	1.5 MPaG
DESIGN PRESSURE	1.0 MPaG		SEAT	(HYD)	MPaG
				(AIR)	MPaG
DESIGN TEMPERATURE	150 °C			(HYD)	MPaG
				(AIR)	MPaG

DRAWING No _____ MODEL No 10FYL-13A

DATE	A. P	C. K	D. S	D. W
AUG. 28, 2017	MORITA	MORITA	MORITA	MORITA

No	DESCRIPTION	DATE	A.P	C.K	D.W
REVISIONS					