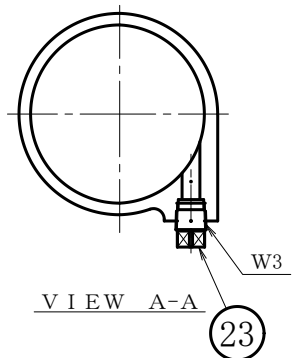
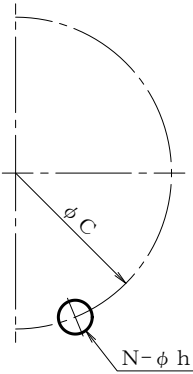
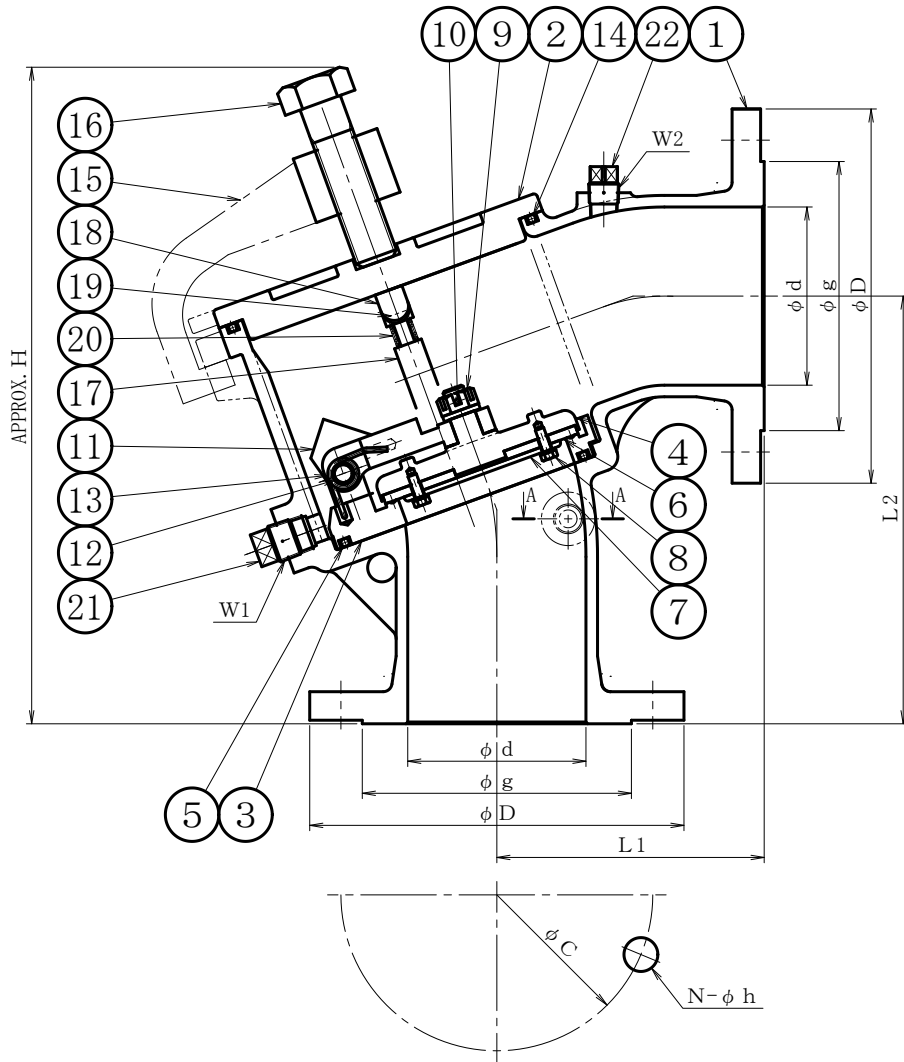


# 10FAFL-1-13A

SIZE	d	L1	L2	FLANGED								W1	W2	W3	H	WEIGHT (k g)	Q'ty
				D	C	g	f	t	N	h							
40	1 1/2	40	120	210	140	105	81	2	16	4	19	R3/8	R3/8	R3/8	295	13	
50	2	50	120	210	155	120	96	2	16	4	19	R3/8	R3/8	R3/8	300	15	
65	2 1/2	65	130	230	175	140	116	2	18	4	19	R1/2	R3/8	R3/8	325	20	
80	3	80	140	240	185	150	126	2	18	8	19	R1/2	R3/8	R3/8	355	26	
100	4	100	150	240	210	175	151	2	18	8	19	R1/2	R3/8	R3/8	370	30	



No	NAME OF PART	MATERIAL	Q.T.Y	REMARKS
23	PLUG	SUS 304	1	
22	PLUG	SUS 304	1	
21	PLUG	SUS 304	1	
20	SPRING	SUS 304	2	
19	NUT	SUS 304	2	
18	PLATE	SCS 13A	1	
17	POLE	SUS 304	2	
16	BOLT	SUS 304	1	
15	SET YOKE	SCS 13A	1	
14	O-RING	EPDM	1	
13	SPRING	SUS 304	1	
12	PIN	SUS 304	1	
11	HINGE	SCS 13A	1	
10	PIN	SUS 304	1	
9	NUT, WASHER	SUS 304	SET	
8	BOLT, SPRING WASHER	SUS 304	SET	
7	DISC PLATE	SUS 304	1	
6	SEAT PACKING	EPDM	1	
5	O-RING	EPDM	1	
4	DISC	SCS 13A	1	
3	SEAT	SCS 13A	1	
2	COVER	SCS 13A	1	
1	BODY	SCS 13A	1	

No	NAME OF PART	MATERIAL	Q.T.Y	REMARKS
NAME 10K FLANGED ANGLE TYPE FOOT VALVE				
FLUID		TEST PRESSURE	BODY	(HYD) 1.5 MPaG (AIR) — MPaG
DESIGN PRESSURE	1.0 MPaG		SEAT	(HYD) 0.2 MPaG (AIR) — MPaG
DESIGN TEMPERATURE	60 °C			(HYD) — MPaG (AIR) — MPaG
DRAWING No		MODEL No 10FAFL-1-13A		
DATE	A. P	C. K	D. S	D. W
SEP. 01. 2018	KAIMOTO	KAIMOTO	KAIMOTO	TAKAHASHI

No	DESCRIPTION	DATE	A. P	C. K	D. W
REVISIONS					